

PEDESTALS

Pedestals (also known as Pillow Blocks) are the most common method of mounting Cooper split roller bearings (in cartridges as explained above).

Cooper standard pedestals are shown on the following pages. Pedestals with height-to-centre and bolt hole configurations to match industry standard SN, SD and SAF pillow blocks are listed separately in this catalogue.

Pedestals are common between expansion (EX) and fixed (GR) units.

LOADS AND MOUNTING

The maximum safe radial load for a pedestal is based on the static rating (C_{or}) of the corresponding size of roller bearing. The full static rating can be applied if the angle of the load falls within the shaded area of the sketch, except for the SNC 500 range for which the maximum load is reduced to 50% C_{or} .

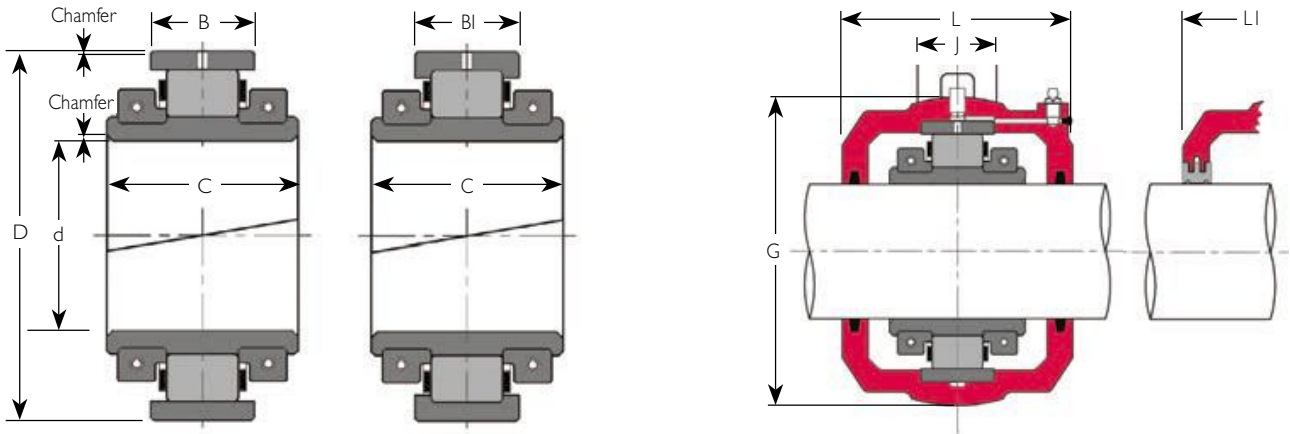
If the radial load falls outside the shaded area, if the radial load exceeds C_{or} , or if the axial loads exceed 50% of the axial rating (C_a) of the corresponding roller bearing please consult our technical department. For 100 Series bearings, the maximum axial load is reduced to 35% C_a and for 01E and 02E series to 26% C_a due to their higher axial load ratings.

Pedestals should be fully supported on a flat, rigid surface to avoid distortion of the pedestal or deflection under load. The flatness of the supporting surface should be to tolerance IT7 according to ISO 1101 and the surface roughness not more than 12.5µm Ra.

For loads within 45° of horizontal, the base should be chocked or dowelled.

Standard Cooper pedestals are manufactured from grade EN-GJL-250 grey iron to BS EN 1561 : 1997. Ductile iron and steel pedestals are also available and should be considered for shock or pulsating loads. Particulars of pedestals in alternative materials are available from our technical department.

Pedestal Units 100 Series

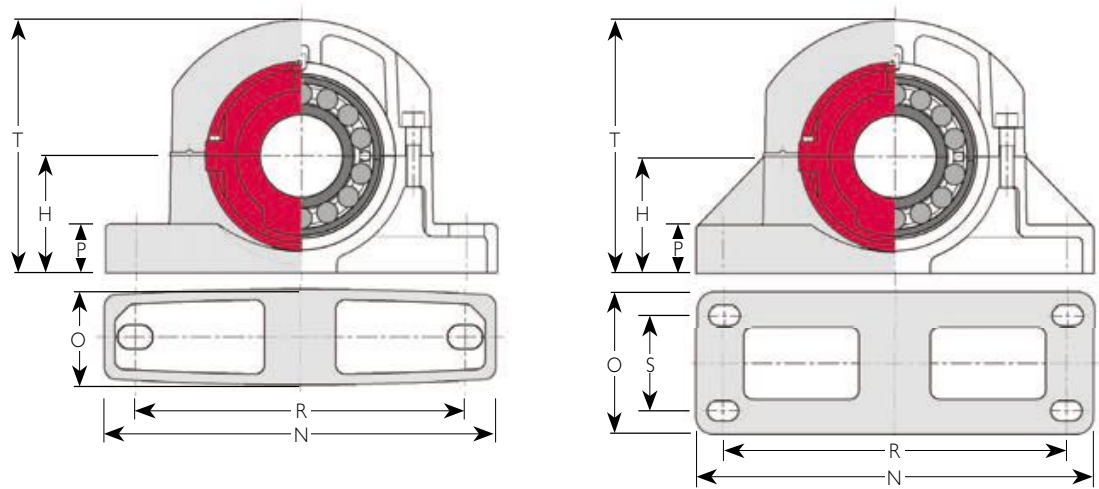


		BEARING DATA							CARTRIDGE DATA						
Group Reference	Shaft Diameter d	Reference (1)		D (mm)	C (mm)	B BI (mm)	Axial Float (2) (mm)	Mass (kg)	Cartridge References (1)			G (mm)	J (mm)	L LI (mm)	Mass (kg)
									for felt seals	for ATL seals					
100 300	75mm 2 15/16" 3"	100 B 75M	100 B 215 100 B 300	114.30	48.0	27.0 27.0	3.5	1.2	100 C 75M	100 C 215 100 C 300	100 C 03	134.94	32	104 104	3.6
100 307	85mm 3 7/16"	100 B 85M	100 B 307	133.35	60.0	31.8 31.8	5	2.1	100 C 85M	100 C 307	100 C 04	157.16	38	114 114	5.4
100 400	100mm 3 15/16" 4"	100 B 100M	100 B 315 100 B 400	152.4	65.0	38.9 38.9	6	2.8	100 C 100M	100 C 315 100 C 400	100 C 05	177.80	50	136 136	7.4
100 408	110mm 4 7/16" 115mm 4 1/2"	100 B 110M 100 B 115M	100 B 407 100 B 408	174.62	80.0	45.3 45.3	7	4.6	100 C 110M 100 C 115M	100 C 407 100 C 408	100 C 06	203.20	50	134 134	7.9
100 500	120mm 125mm 130mm 4 15/16" 5"	100 B 120M 100 B 125M 100 B 130M	100 B 415 100 B 500	203.20	85.0	46.9 46.9	7	7.4	100 C 120M 100 C 125M 100 C 130M	100 C 415 100 C 500	100 C 07	231.78	64	142 142	11
100 508	140mm 5 7/16" 5 1/2"	100 B 140M	100 B 507 100 B 508	222.25	90.0	54.0 54.0	7	9.3	100 C 140M	100 C 507 100 C 508	100 C 08	266.70	76	156 156	18.4
100 600	150mm 5 15/16" 6"	100 B 150M	100 B 515 100 B 600	241.30	90.0	55.6 55.6	8	10.4	100 C 150M	100 C 515 100 C 600	100 C 09	279.40	76	168 168	19.4
100 800	200mm 7 15/16" 8"	100 B 200M	100 B 715 100 B 800	285.75	109.0	55.5 55.5	6	18	100 C 200M	100 C 715 100 C 800	(3)	323.85	70	172 (3)	24
100 808	220mm -	100 B 220M	-	311.15	109.0	60.3 60.3	8	29	100 C 220M	-	(3)	358.78	86	172 (3)	35

1) Add 'EX' or 'GR' to reference for expansion or fixed type respectively, e.g: Bearing: 100 B 75M EX or 100 B 215 EX
Cartridge: 100 C 75M EX or 100 C 03 EX

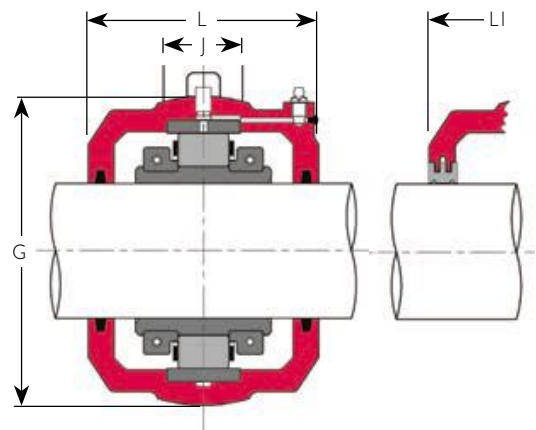
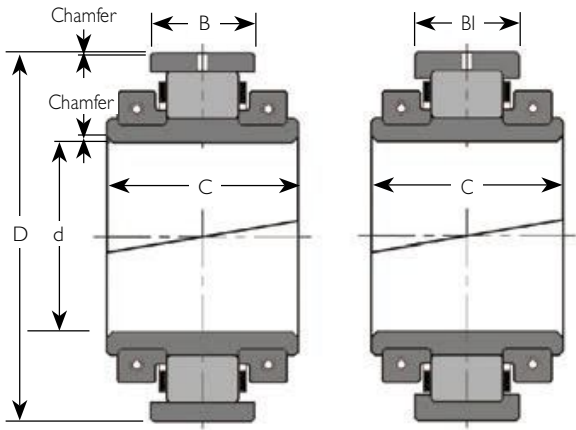
2) Total movement tabulated. Maximum offset from centreline half this amount.

2) Refer to Cooper



PEDESTAL DATA

Reference	H (mm)	Min. (mm)	Max. (mm)	Ro (mm)	S (mm)	Bolts	N (mm)	O (mm)	P (mm)	T (mm)	Mass (Kg)	Shaft Diameter d	Group Reference	
P03	80	226	242	-	-	2-off M16 or 5/8"	280	70	32	180	4.9	75mm	2 15/16" 3"	100 300
P04	95	260	280	-	-	2-off M20 or 3/4"	330	76	38	208	6.9	85mm	3 7/16"	100 307
P05	112	312	328	-	-	2-off M24 or 7/8"	380	90	44	252	13.3	100mm	3 15/16" 4"	100 400
P06	125	342	366	-	-	2-off M24 or 7/8"	420	102	52	272	14.7	110mm 115mm	4 7/16" 4 1/2"	100 408
P07	143	374	410	-	-	2-off M24 or 7/8"	466	120	60	314	20.6	120mm 125mm 130mm	4 15/16" 5"	100 500
P08	162	438	462	-	120	4-off M24 or 7/8"	508	178	38	372	43.3	140mm	5 7/16" 5 1/2"	100 508
P09	181	470	494	-	120	4-off M24 or 7/8"	558	178	41	405	52	150mm	5 15/16" 6"	100 600
P12	235	376	400	-	128	4-off M24 or 1"	534	190	35	470	63	100 800	200mm	7-15/16" 8"
P13	248	410	434	-	140	4-off M24 or 1"	572	204	38	495	83	100 808	220mm	-



BEARING DATA

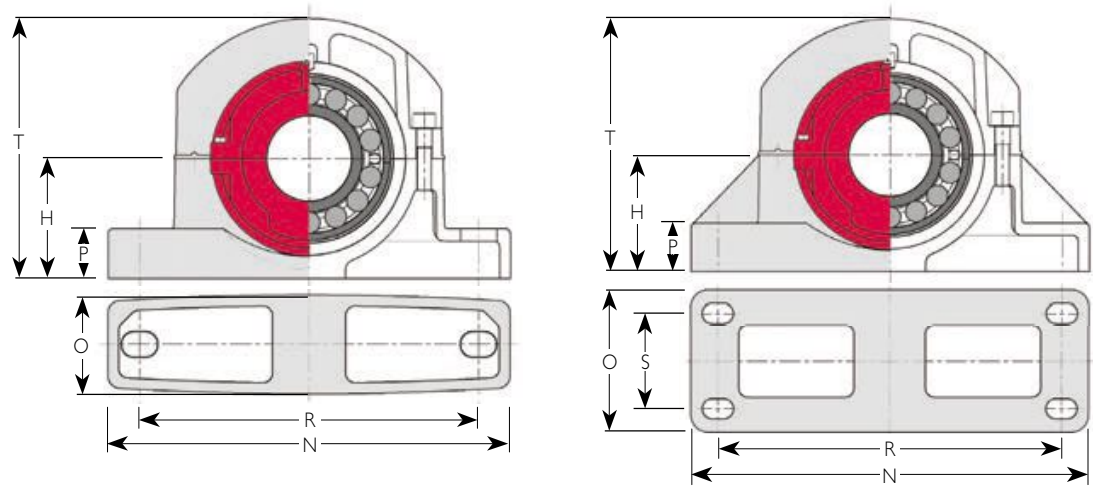
Group Reference	Shaft Diameter d	Reference (I)		D (mm)	C (mm)	B/ BI (mm)	Axial Float (2) (mm)	Mass (kg)
01 108	35	01 B 103	01 B 104	84.14	50.1	23.8	3.5	1.2
	40	01 B 35M	01 B 107					
		01 B 40M	01 B 108					
01E 200	45	01EB 111	01EB 112	98.42	55.7	25.4	4	1.5
	50	01EB 45M	01EB 115					
		01EB 50M	01EB 200					
01E 208	55	01EB 203	01EB 204	114.30	55.7	27.0	4.5	1.8
	60	01EB 60M	01EB 207					
	65	01EB 65M	01EB 208					
01E 300	70	01EB 211	01EB 212	133.35	61.2	31.8	5	2.5
	75	01EB 70M	01EB 215					
		01EB 75M	01EB 300					
01E 308	80	01EB 303	01EB 304	152.40	70.7	38.9	6	4.0
	85	01EB 80M	01EB 307					
	90	01EB 85M	01EB 308					
		01EB 90M						
01E 400	95	01EB 311	01EB 312	174.62	81.0	45.3	7	6.0
	100	01EB 95M	01EB 315					
	105	01EB 100M	01EB 400					
		01EB 105M						
01 408	110	01 B 403	01 B 407	203.20	84.9	46.9	7	10.2
	115	01 B 110M	01 B 408					
		01 B 115M						
01 500	120	01 B 415	01 B 500	222.25	89.7	54.0	7	12.8
	125	01 B 120M						
	130	01 B 125M						
01 508	135	01 B 503	01 B 507	241.30	98.4	55.6	8	15.0
	140	01 B 135M	01 B 508					
		01 B 140M						
01 600	150	01 B 515	01 B 600	254.00	98.4	55.6	8	16.6
	160	01 B 150M	01 B 600-160M					

CARTRIDGE DATA

Cartridge References (I)		G (mm)	J (mm)	L/LI (mm)	Mass (kg)
for felt seals	for ATL seals				
01 C 103	01 C 01	100.00	25	86	2
01 C 35M	01 C 104			86	
01 C 40M	01 C 107				
	01 C 108				
	01 C 111				
01 C 45M	01 C 112	117.48	25	98	2.5
01 C 50M	01 C 115			98	
	01 C 200				
01 C 55M	01 C 203				
01 C 60M	01 C 204	134.94	32	104	3.2
01 C 65M	01 C 207			104	
	01 C 208				
	01 C 211				
01 C 70M	01 C 212	157.16	38	114	5.5
01 C 75M	01 C 215			114	
	01 C 300				
01 C 80M	01 C 303				
01 C 85M	01 C 304	177.80	50	136	7
01 C 90M	01 C 307			136	
	01 C 308				
01 C 95M	01 C 311				
01 C 100M	01 C 312	203.20	50	134	8
01 C 105M	01 C 315			134	
	01 C 400				
01 C 110M	01 C 403	231.78	64	142	11.9
01 C 115M	01 C 407			142	
	01 C 408				
01 C 120M	01 C 415	266.70	76	156	19.5
01 C 125M	01 C 500			156	
01 C 130M					
01 C 135M	01 C 503	279.40	76	168	20.8
01 C 140M	01 C 507			168	
	01 C 508				
01 C 150M	01 C 515	295.28	82	174	24.4
01 C 600-160M*	01 C 600				

1) Add 'EX' or 'GR' to reference for expansion or fixed type respectively, e.g. Bearing: 01 B 35M EX or 01 B 103 EX
Cartridge: 01 C 35M EX or 01 C 01 EX

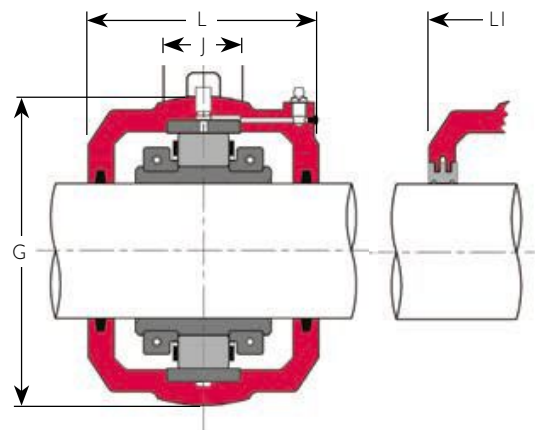
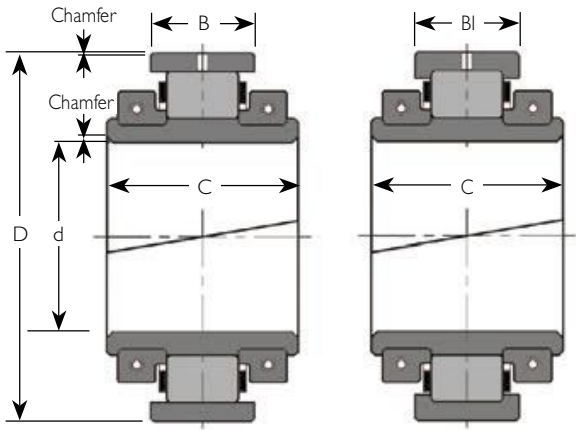
2) Total movement tabulated. Maximum offset from centreline half this amount



PEDESTAL DATA

Reference	H (mm)	R		Ro (mm)	S (mm)	Bolts	N (mm)	O (mm)	P (mm)	T (mm)	Mass (Kg)	Shaft Diameter d		Group Reference
		Min. (mm)	Max. (mm)									mm	inches	
P01	60	172	192	-	-	2-off M12 or 1/2"	228	60	22	138	2.5	35 40	1 3/16" 1 1/4" 1 7/16" 1 1/2"	01 108
P02	70	203	227	-	-	2-off M16 or 5/8"	270	60	25	158	3.2	45 50	1 11/16" 1 3/4" 1 15/16" 2"	01E 200
P03	80	226	242	-	-	2-off M16 or 5/8"	280	70	32	180	4.9	55 60 65	2 3/16" 2 1/4" 2 7/16" 2 1/2"	01E 208
P04	95	260	280	-	-	2-off M20 or 3/4"	330	76	38	208	6.9	70 75	2 11/16" 2 3/4" 2 15/16" 3"	01E 300
P05	112	312	328	-	-	2-off M24 or 7/8"	380	90	44	252	13.3	80 85 90	3 3/16" 3 1/4" 3 7/16" 3 1/2"	01E 308
P06	125	342	366	-	-	2-off M24 or 7/8"	420	102	52	272	14.7	95 100 105	3 11/16" 3 3/4" 3 15/16" 4"	01E 400
P07	143	374	410	-	-	2-off M24 or 7/8"	466	120	60	314	20.6	110 115	4 3/16" 4 7/16" 4 1/2"	01 408
P08	162	438	462	-	120	4-off M24 or 7/8"	508	178	38	372	43.3	120 125 130	4 15/16" 5"	01 500
P09	181	470	494	-	120	4-off M24 or 7/8"	558	178	41	405	52	135 140	5 3/16" 5 7/16" 5 1/2"	01 508
P10	181	484	508	-	120	4-off M24 or 7/8"	558	178	41	415	54	150 160	5 15/16" 6"	01 600

* Add 'OTL' to reference for cartridge for ATL seals if the cartridge for felt seals with the same bore size is also marked*, eg 01 C 10 OTL.



BEARING DATA

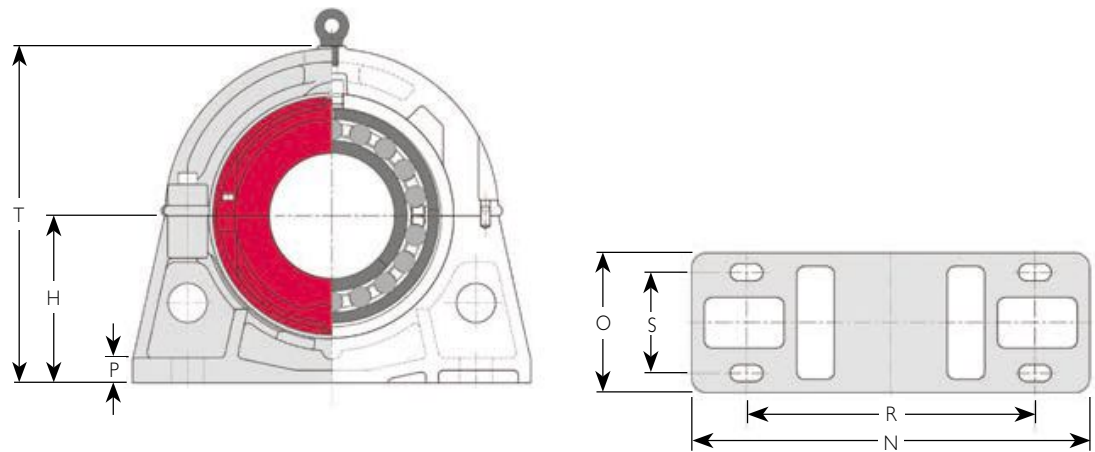
CARTRIDGE DATA

Group Reference	Shaft Diameter d	Reference (1)		D (mm)	C (mm)	B BI	Axial Float (2) (mm)	Mass (kg)	Cartridge References (1)			G (mm)	J (mm)	L/LI (mm)	Mass (kg)
									for feltseals	for ATLseals					
01E 608	160mm 6 7/16"	01E B 160M	01E B 607	273.05	109.0	60.3	8	21.0	01 C 160M	01 C 607	01 C 11*	311.15	76	172	30
	170mm 6 1/2"	01E B 608-170M	01E B 608						01 C 608-170M*	01 C 608					
01E 700	170mm 6 15/16"	01E B 170M	01E B 615	285.75	109.0	55.5	8	23.0	01 C 170M	01 C 615	01 C 12	323.85	70	172	31
	175mm 7"	01E B 175M	01E B 700						01 C 175M	01 C 700					
01E 800	190mm 7 15/16"	01E B 190M	01E B 715	311.15	109.0	60.3	8	25.0	01 C 190M	01 C 715	01 C 13	358.78	86	172	41
	200mm 8"	01E B 200M	01E B 800						01 C 200M	01 C 800					
01E 900	220mm 9"	01E B 220M	01E B 900	342.90	115.0	63.5	8	32	01 C 220M	01 C 900	01 C 14	387.35	82	178	46
	230mm	01E B 230M							01 C 230M						
01E 1000	240mm 10"	01E B 240M	01E B 1000	374.65	122.0	66.7	9	40	01 C 240M	01 C 1000	01 C 15*	419.10	90	188	58
	250mm	01E B 250M							01 C 250M						
01E 1100	260mm 11"	01E B 260M	01E B 1100	406.40	128.0	69.0	10	50	01 C 260M	01 C 1100	01 C 16	454.00	95	204	70
	270mm	01E B 270M							01 C 270M						
01E 1200	275mm 11"	01E B 275M							01 C 275M						
	280mm	01E B 280M							01 C 280M						
01E 1200	290mm 12"	01E B 290M	01E B 1200	438.15	143.0	74.6	10	60	01 C 290M	01 C 1200	01 C 17	489.00	98	216	86
	300mm	01E B 300M							01 C 300M						

1) Add 'EX' or 'GR' to reference for expansion or fixed type respectively, e.g. Bearing: 01 B 160M EX or 01 B 607 EX
Cartridge: 01 C 160M EX or 01 C 11 EX

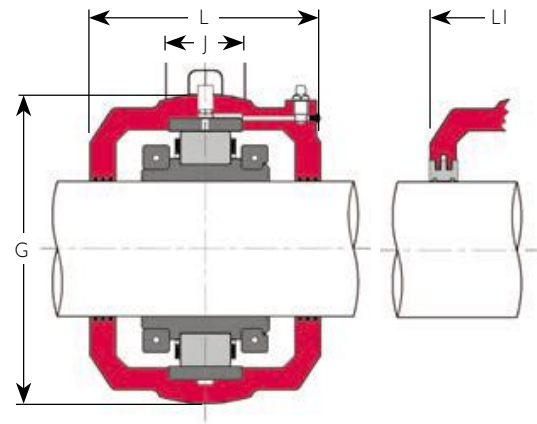
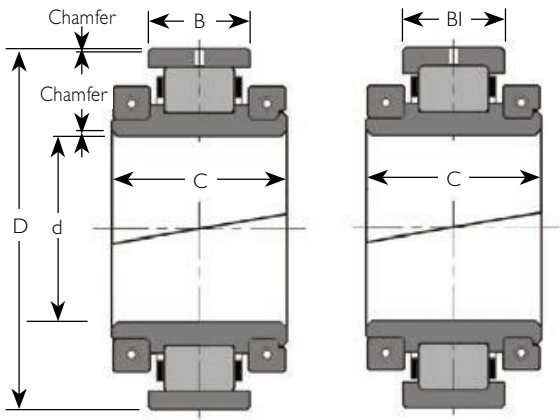
2) Total movement tabulated. Maximum offset from centreline half this amount

* Add 'OTL' to reference for cartridge for ATL seals if the cartridge for felt seals with the same bore size is also marked*, eg 01 C 11 OTL



PEDESTAL DATA

Reference	H (mm)	R		Ro (mm)	S (mm)	Bolts	N (mm)	O (mm)	P (mm)	T (mm)	Mass (Kg)	Shaft Diameter d	Group Reference
		Min. (mm)	Max. (mm)										
PI1	213	356	380	-	114	4-off M24 or 1"	508	178	32	430	53	160mm 170mm	6 7/16" 6 1/2" O1E 608
PI2	235	376	400	-	128	4-off M24 or 1"	534	190	35	470	63	170mm 175mm 180mm	6 15/16" 7" O1E 700
PI3	248	410	434	-	140	4-off M24 or 1"	572	204	38	495	83	190mm 200mm	7 15/16" 8" O1E 800
PI4	270	440	480	-	140	4-off M30 or 1 1/4"	636	216	40	540	90	220mm 230mm	9" O1E 900
PI5	292	482	522	-	140	4-off M30 or 1 1/4"	686	228	44	585	114	240mm 250mm 260mm	10" O1E 1000
PI6	311	514	554	-	140	4-off M30 or 1 1/4"	724	228	48	620	142	260mm 270mm 275mm 280mm	11" O1E 1100
PI7	343	564	604	-	178	4-off M30 or 1 1/4"	762	254	50	685	169	290mm 300mm	12" O1E 1200



BEARING DATA

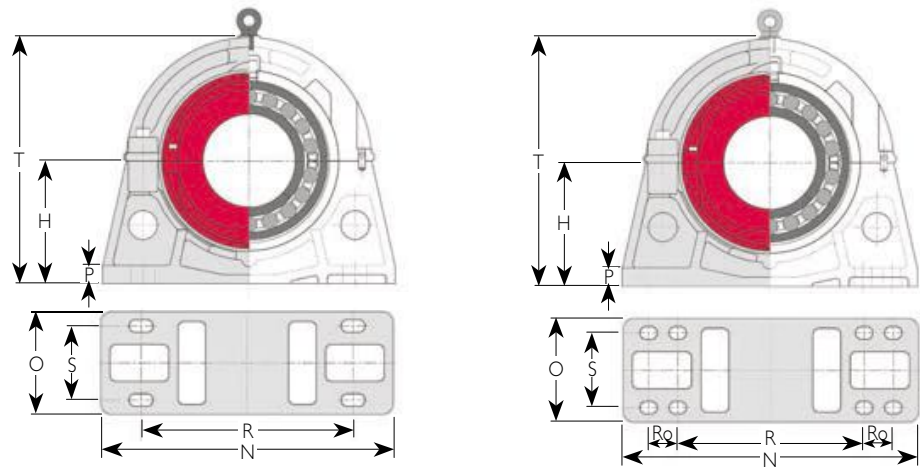
Group Reference	Shaft Diameter d	Reference (1)		D (mm)	C (mm)	B BI	Axial Float (2) Mass	
							(mm)	(kg)
01 I 1300	320mm	01 B 320M		463.55	136.0	74.6	10	72
	330mm	01 B 330M	01 B 1300					
	340mm	01 B 1300-340M						
01 I 1400	340mm	01 B 340M		488.95	136.0	74.6	10	78
	350mm	01 B 350M	01 B 1400					
	360mm	01 B 1400-360M						
01 I 1500	360mm	01 B 360M	01 B 1500	520.70	140.0	76.2	10	86
	380mm	01 B 380M						
01 I 1600	390mm	01 B 390M	01 B 1600	546.10	140.0	76.2	10	95
	400mm	01 B 400M						
01 I 1700	420mm	01 B 420M	01 B 1700	571.50	140.0	76.2	10	104
01 I 1800	440mm	01 B 440M	01 B 1800	596.90	140.0	76.2	10	114
	460mm							
01 I 1900	480mm	01 B 480M	01 B 1900	628.65	144.0	81.0	11	128
01 I 2000	500mm	01 B 500M	01 B 2000	654.05	168.0	80.2	11	136
01 I 2100	530mm	01 B 530M	01 B 2100	692.15	168.0	81.0	11	164
01 I 2200	560mm	01 B 560M	01 B 2200	717.55	168.0	81.0	11	178
01 I 2300	580mm	01 B 580M	01 B 2300	749.30	172.0	84.1	11	195
01 I 2400	600mm	01 B 600M	01 B 2400	774.70	172.0	84.1	11	210

CARTRIDGE DATA

Cartridge References (1) for feltseals	Cartridge References (1) for ATLseals	G (mm)	J (mm)	L/LI (mm)	Mass (kg)	
						01 C 320M
01 C 330M					272	
01 C 1300-340M						
01 C 340M	01 C 1400	01 C 19	546.10	98	260	117
01 C 350M					272	
01 C 1400-360M						
01 C 360M	01 C 1500	01 C 20	571.50	98	260	126
01 C 380M					280	
01 C 390M	01 C 1600	01 C 21	603.30	102	280	141
01 C 400M					286	
01 C 420M	01 C 1700	01 C 22	628.70	102	292	150
					298	
01 C 440M	01 C 1800	01 C 23	650.90	108	304	151
01 C 460M					310	
01 C 480M	01 C 1900	01 C 24	682.60	108	304	162
					324	
01 C 500M	01 C 2000	01 C 25	717.60	114	304	192
					330	
01 C 530M	01 C 2100	01 C 26	755.70	114	330	226
					336	
01 C 560M	01 C 2200	01 C 27	781.10	114	336	252
					342	
01 C 580M	01 C 2300	01 C 28	816.00	120	342	273
					348	
01 C 600M	01 C 2400	01 C 29	841.40	120	342	290
					348	

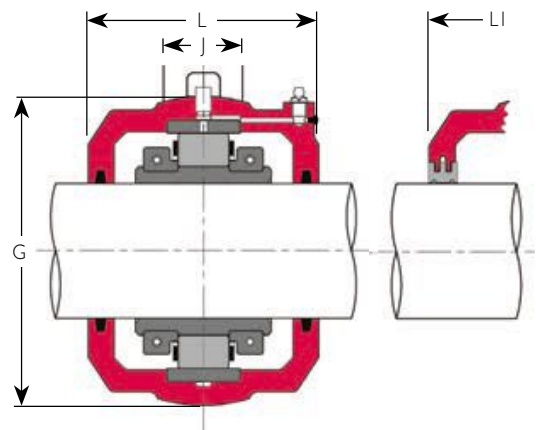
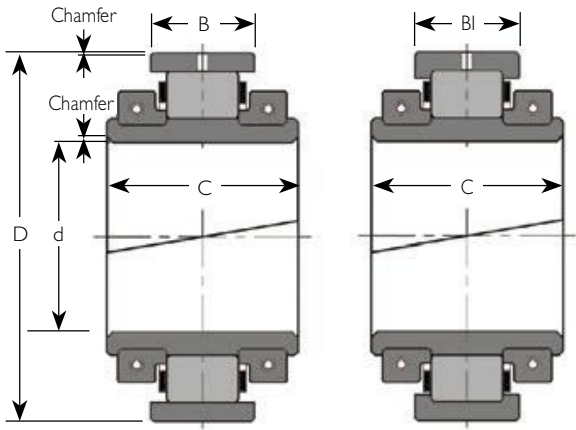
1) Add 'EX' or 'GR' to reference for expansion or fixed type respectively, e.g. Bearing: 01 B 320M EX or 01 B 1300 EX
Cartridge: 01 C 320M EX or 01 C 18 EX

2) Total movement tabulated. Maximum offset from centreline half this amount



PEDESTAL DATA

Reference	H (mm)	R		Ro (mm)	S (mm)	Bolts	N (mm)	O (mm)	P (mm)	T (mm)	Mass (Kg)	Shaft Diameter d	Group Reference
		Min. (mm)	Max. (mm)										
P18	368	602	642	-	178	4-off M36 or 1 1/2"	812	254	54	735	196	320mm 330mm 340mm	13" 01 1300
P19	387	634	674	-	166	4-off M36 or 1 1/2"	850	254	57	775	213	340mm 350mm 360mm	14" 01 1400
P20	397	656	696	-	166	4-off M36 or 1 1/2"	902	254	60	795	288	360mm 380mm	15" 01 1500
P21	432	704	744	-	166	4-off M36 or 1 1/2"	940	254	67	865	309	390mm 400mm	16" 01 1600
P22	445	736	776	-	166	4-off M36 or 1 1/2"	966	254	67	890	316	420mm	17" 01 1700
P23	464	768	808	-	190	4-off M42 or 1 3/4"	1042	280	70	925	370	440mm 460mm	18" 01 1800
P24	483	796	836	-	188	4-off M42 or 1 3/4"	1092	304	73	965	402	480mm	19" 01 1900
P25	489	824	864	-	216	4-off M42 or 1 3/4"	1092	304	76	980	402	500mm	20" 01 2000
P26	533	884	924	-	206	4-off M42 or 1 3/4"	1194	304	80	1065	495	530mm	21" 01 2100
P27	552	916	956	-	206	4-off M42 or 1 3/4"	1220	304	83	1110	570	560mm	22" 01 2200
P28	578	857	896	102	220	8-off M36 or 1 1/2"	1346	304	90	1156	630	580mm	23" 01 2300
P29	597	888	928	105	220 84.1	8-off M36 or 1 1/2"	1372	304	90	1200	630	600mm	24" 01 2400



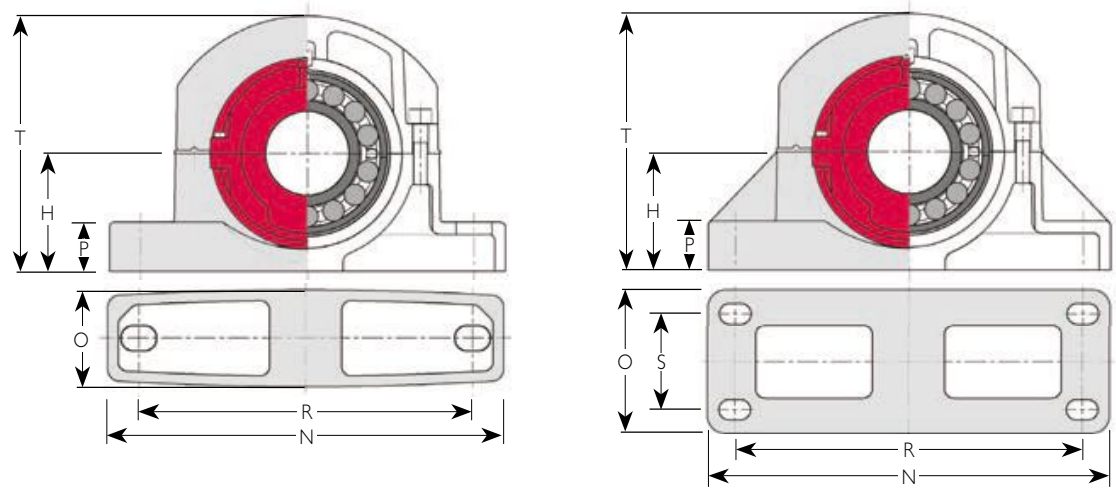
BEARING DATA

CARTRIDGE DATA

Group Reference	Shaft Diameter d	Reference (1)		D (mm)	C (mm)	B/BI (mm)	Axial Float (2) (mm)	Mass (kg)	Cartridge References (1)						
									for felt seals	for ATL seals	G (mm)	J (mm)	L/LI (mm)	Mass (kg)	
02 200	50mm	02 B 50M	02 B 115 02 B 200	107.95	67.5	35.0 35.0	5	2.0	02 C 50M	02 C 115 02 C 200	02 C 03	134.94	32	114 114	4
02 208	60mm 65mm	02 B 60M 02 B 65M	02 B 203 02 B 204 02 B 207 02 B 208	127.00	72.3	38.9 38.9	5.5	3.0	02 C 60M 02 C 65M	02 C 203 02 C 204 02 C 207 02 C 208	02 C 04	157.16	38	126 126	7
02 300	70mm 75mm	02 B 70M 02 B 75M	02 B 211 02 B 212 02 B 215 02 B 300	149.22	82.6	46.1 46.1	6	5.0	02 C 70M 02 C 75M	02 C 211 02 C 212 02 C 215 02 C 300	02 C 05	177.80	50	140 140	9
02 308	80mm 85mm 90mm	02 B 80M 02 B 85M 02 B 90M	02 B 303 02 B 304 02 B 307 02 B 308	169.86	89.7	48.4 48.4	7	7.0	02 C 80M 02 C 85M 02 C 90M	02 C 303 02 C 304 02 C 307 02 C 308	02 C 06	203.20	50	154 154	10
02 400	100mm 105mm	02 B 100M 02 B 105M	02 B 311 02 B 312 02 B 315 02 B 400	193.68	92.1	51.6 51.6	8	9.0	02 C 100M 02 C 105M	02 C 311 02 C 312 02 C 315 02 C 400	02 C 07	231.78	64	146 146	12
02 408	110mm 115mm	02 B 110M 02 B 115M	02 B 403 02 B 407 02 B 408	228.60	100.0	57.2 57.2	9	16.0	02 C 110M 02 C 115M	02 C 403 02 C 407 02 C 408	02 C 08	266.70	76	162 162	19
02 500	120mm 125mm 130mm	02 B 120M 02 B 125M 02 B 130M	02 B 415 02 B 500	254.00	114.3	63.5 63.5	10	20.0	02 C 120M 02 C 125M 02 C 130M	02 C 415 02 C 500	02 C 10	295.28	82	184 184	26

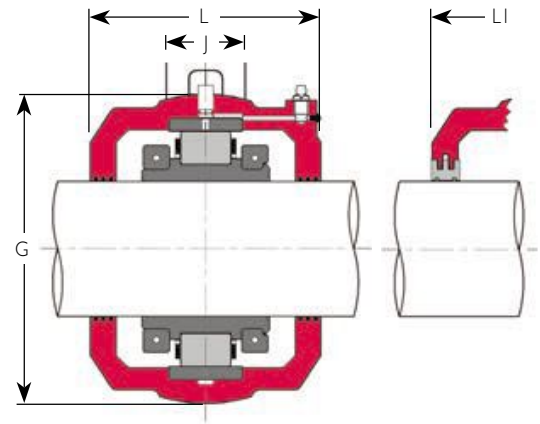
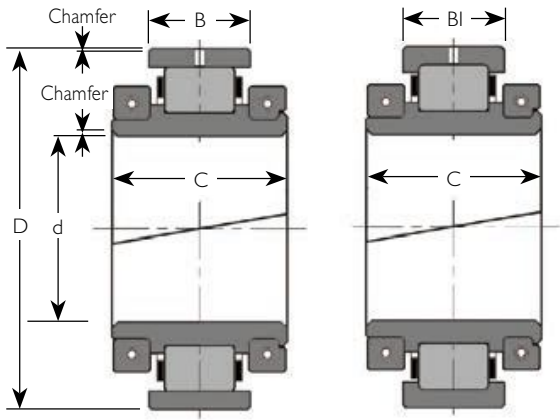
1) Add 'EX' or 'GR' to reference for expansion or fixed type respectively, e.g: **Bearing:** 02 B 50M EX or 02 B 115 EX
Cartridge: 02 C 50M EX or 02 C 03 EX

2) Total movement tabulated. Maximum offset from centre line half this amount.



PEDESTAL DATA

Reference	H (mm)	R		Ro (mm)	S (mm)	Bolts	N (mm)	O (mm)	P (mm)	T (mm)	Mass (Kg)	Shaft Diameter d	Group Reference	
		Min. (mm)	Max. (mm)											
P03	80	226	242	-	-	2-off M16 or 5/8"	280	70	32	180	4.9	50mm	1 15/16" 2"	02 200
P04	95	260	280	-	-	2-off M20 or 3/4"	330	76	38	208	6.9	60mm 65mm	2 3/16" 2 1/4" 2 7/16" 2 1/2"	02 208
P05	112	312	328	-	-	2-off M24 or 7/8"	380	90	44	252	13.3	70mm 75mm	2 11/16" 2 3/4" 2 15/16" 3"	02 300
P06	125	342	366	-	-	2-off M24 or 7/8"	420	102	52	272	14.7	80mm 85mm 90mm	3 3/16" 3 1/4" 3 7/16" 3 1/2"	02 308
P07	143	374	410	-	-	2-off M24 or 7/8"	466	120	60	314	20.6	100mm 105mm	3 11/16" 3 3/4" 3 15/16" 4"	02 400
P08	162	438	462	-	120	4-off M24 or 7/8"	508	178	38	372	43.3	110mm 115mm	4 3/16" 4 7/16" 4 1/2"	02 408
P10	181	484	508	-	120	4-off M24 or 7/8"	558	178	41	415	54	120mm 125mm 130mm	4 15/16" 5"	02 500



BEARING DATA

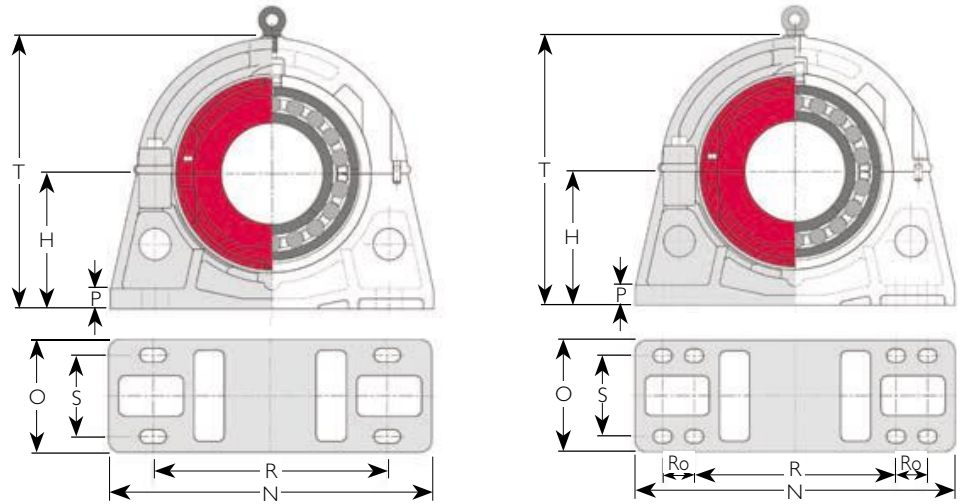
CARTRIDGE DATA

Group Reference	Shaft Diameter d	Reference (1)		Axial Float (2) Mass				Cartridge References (1) for felt seals for ATL seals								
		D (mm)	C (mm)	B/B1 (mm)	D (mm)	C (mm)	J (mm)	L/L1 (mm)	Mass (kg)	G (mm)	J (mm)	L/L1 (mm)	Mass (kg)			
02 508	140mm	5 3/16"	02 B 140M	02 B 503	273.05	117.5	66.7	10	24.0	02 C 140M	02 C 503	02 C 30	323.85	90	188	33
	145mm	5 7/16"	02 B 145M	02 B 507						02 C 145M	02 C 507					
		5 1/2"	02 B 508	02 C 508												
02 600	150mm	5 15/16"	02 B 150M	02 B 515	292.10	123.8	68.3	10	29.0	02 C 150M	02 C 515	02 C 31*	336.55	95	204	39
	155mm	6"	02 B 155M	02 B 600						02 C 155M	02 C 600					
	160mm		02 B 600-160M							02 C 600-160M*						
02E 608	160mm	6 7/16"	02E B 160M	02E B 607	317.50	140.0	83.3	11	39.0	02 C 160M	02 C 607	02 C 32*	368.30	95	206	56
	170mm	6 1/2"	02E B 170M	02E B 608						02 C 170M*	02 C 608					
02E 700	175mm	6 15/16"	02E B 175M	02E B 615	330.20	140.0	83.3	11	45.0	02 C 175M	02 C 615	02 C 33	381.00	95	222	66
	180mm	7"	02E B 180M	02E B 700						02 C 180M	02 C 700					
02E 800	190mm	7 15/16"	02E B 190M	02E B 715	368.30	156.0	90.5	13	59.0	02 C 190M	02 C 715	02 C 34	425.50	105	235	84
	200mm	8"	02E B 200M	02E B 800						02 C 200M	02 C 800					
02E 900	220mm	9"	02E B 220M	02E B 900	393.70	163.0	90.5	13	68	02 C 220M	02 C 900	02 C 35	457.20	110	242	98
	230mm		02E B 230M							02 C 230M						
02E 1000	240mm	10"	02E B 240M	02E B 1000	431.80	170.0	96.8	13	77	02 C 240M	02 C 1000	02 C 36*	495.30	118	248	105
	250mm		02E B 250M							02 C 250M						
	260mm		02E B 260M							02 C 260M*						
02E 1100	280mm	11"	02E B 280M	02E B 1100	463.55	186.0	101.6	14	86	02 C 280M	02 C 1100	02 C 37	527.10	130	264	131
02E 1200	300mm	12"	02E B 300M	02E B 1200	495.30	193.0	103.2	14	123	02 C 300M	02 C 1200	02 C 38	552.50	128	268	129

1) Add 'EX' or 'GR' to reference for expansion or fixed type respectively, e.g: **Bearing:** 02 B 140M EX or 02 B 503 EX
Cartridge: 02 C 140M EX or 02 C 30 EX

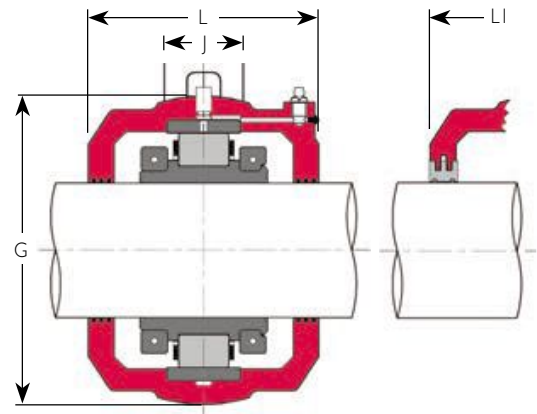
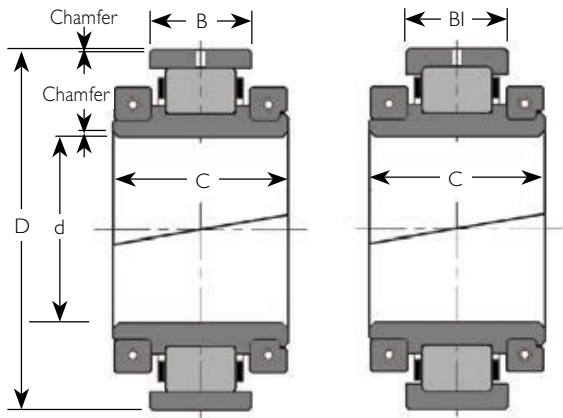
* Add 'OTL' to reference for cartridge for ATL seals if the cartridge for felt seals with the same bore size is also marked*, eg 02 C 31 OTL

2) Total movement tabulated. Maximum offset from centreline half this amount.



PEDESTAL DATA

Reference	H (mm)	R		Ro (mm)	S (mm)	Bolts	N (mm)	O (mm)	P (mm)	T (mm)	Mass (Kg)	Shaft Diameter d	Group Reference	
		Min. (mm)	Max. (mm)											
P30	203	534	558	-	120	4-off M24 or 1"	610	178	51	460	76	140mm 145mm	5 3/16" 5 7/16" 5 1/2"	02 508
P31	210	546	570	-	128	4-off M24 or 1"	636	204	50	470	83	150mm 155mm 160mm	5 15/16" 6"	02 600
P32	267	428	468	-	172	4-off M30 or 1 1/4"	596	242	44	535	106	160mm 170mm	6 7/16" 6 1/2"	02E 608
P33	273	438	478	-	166	4-off M30 or 1 1/4"	636	242	44	545	116	175mm 180mm	6 15/16" 7"	02E 700
P34	305	488	528	-	190	4-off M30 or 1 1/4"	686	266	50	610	145	190mm 200mm	7 15/16" 8"	02E 800
P35	324	530	570	-	190	4-off M36 or 1 1/2"	750	280	50	650	179	220mm 230mm	9"	02E 900
P36	356	576	616	-	204	4-off M36 or 1 1/2"	812	292	54	710	212	240mm 250mm 260mm	10"	02E 1000
P37	378	514	554	101	254	8-off M30 or 1 1/4"	914	330	60	760	292	280mm	11"	02E 1100
P38	394	546	586	101	254	8-off M30 or 1 1/4"	958	330	60	790	330	300mm	12"	02E 1200



BEARING DATA

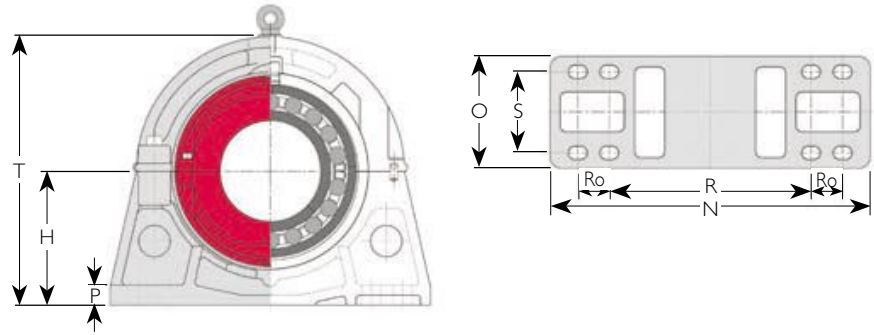
Group Reference	Shaft Diameter d	Reference (1)		D (mm)	C (mm)	B / B1 (mm)	Axial Float (2) Mass (kg)	
02 1300	320mm	02 B 320M	02 B 1300	527.05	192.0	106.4	15	150
	330mm	02 B 330M				106.4		
02 1400	340mm	02 B 340M	02 B 1400	565.15	200.0	115.9	16	182
	350mm	02 B 350M				115.9		
	360mm	02 B 360M						
02 1500	380mm	02 B 380M	02 B 1500	584.20	200.0	111.1 111.1	16	186
02 1600	400mm	02 B 400M	02 B 1600	615.95	200.0	115.9 115.9	16	209
02 1700	420mm	02 B 420M	02 B 1700	647.70	200.0	119.1 119.1	17	241
02 1800	440mm	02 B 440M	02 B 1800	666.75	200.0	115.9 115.9	17	250
	460mm	02 B 460M						
02 1900	480mm	02 B 480M	02 B 1900	698.50	223.0	119.1 119.1	17	263
02 2000	500mm	02 B 500M	02 B 2000	717.55	226.0	115.9 115.9	17	272
02 2100	530mm	02 B 530M	02 B 2100	762.00	229.0	119.1 119.1	18	309
02 2200	560mm	02 B 560M	02 B 2200	793.75	233.0	122.2 122.2	18	336
02 2300	580mm	02 B 580M	02 B 2300	812.80	232.0	119.1 119.1	16	340
02 2400	600mm	02 B 600M	02 B 2400	838.20	214.0	119.1 119.1	18	381

CARTRIDGE DATA

Cartridge References (1) for feltseals	for ATLseals	G (mm)	J (mm)	L/L1 (mm)	Mass (kg)	
						02 C 320M
02 C 340M	02 C 1400	02 C 40	628.70	146	305 342	186
02 C 380M	02 C 1500	02 C 41	647.70	146	305 342	209
02 C 400M	02 C 1600	02 C 42	685.80	146	324 350	254
02 C 420M	02 C 1700	02 C 43	717.60	146	324 356	264
02 C 440M	02 C 1800	02 C 44	733.40	146	324 356	265
02 C 480M	02 C 1900	02 C 45	762.00	146	338 374	272
02 C 500M	02 C 2000	02 C 46	787.40	146	350 374	323
02 C 530M	02 C 2100	02 C 47	831.90	150	350 374	351
02 C 560M	02 C 2200	02 C 48	866.80	152	356 380	379
02 C 580M	02 C 2300	02 C 49	882.70	152	356 380	386
02 C 600M	02 C 2400	02 C 50	914.40	152	388 394	454

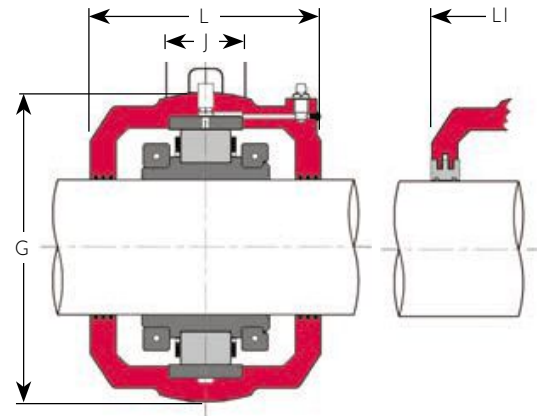
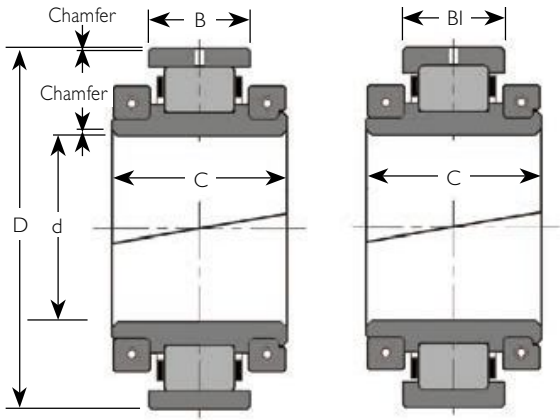
1) Add 'EX' or 'GR' to reference for expansion or fixed type respectively, e.g: Bearing: 02 B 320M EX or 02 B 1300 EX
Cartridge: 02 C 320M EX or 02 C 39 EX

2) Total movement tabulated. Maximum offset from centreline half this amount.



PEDESTAL DATA

Reference	H (mm)	R		Ro (mm)	S (mm)	Bolts	N (mm)	O (mm)	P (mm)	T (mm)	Mass (Kg)	Shaft Diameter d	Group Reference	
		Min. (mm)	Max. (mm)											
P39	419	590	630	101	210	8-off M30 or 1 1/4"	1016	292	64	840	383	320mm 330mm	13"	02 1300
P40	451	640	680	102	280	8-off M36 or 1 1/2"	1092	368	67	900	429	340mm 350mm 360mm	14"	02 1400
P41	464	662	702	102	280	8-off M36 or 1 1/2"	1092	368	67	925	445	380mm	15"	02 1500
P42	495	710	750	102	280	8-off M36 or 1 1/2"	1168	368	70	990	537	400mm	16"	02 1600
P43	514	748	788	102	280	8-off M36 or 1 1/2"	1194	368	70	1030	564	420mm	17"	02 1700
P44	533	768	808	104	280	8-off M36 or 1 1/2"	1244	368	73	1070	564	440mm 460mm	18"	02 1800
P45	552	792	832	115	280	8-off M36 or 1 1/2"	1270	368	76	1110	690	480mm	19"	02 1900
P46	572	824	864	115	280	8-off M36 or 1 1/2"	1296	368	80	1145	677	500mm	20"	02 2000
P47	591	870	910	114	280	8-off M36 or 1 1/2"	1398	368	83	1180	905	530mm	21"	02 2100
P48	616	904	956	114	280	8-off M42 or 1 3/4"	1422	382	86	1230	965	560mm	22"	02 2200
P49	635	932	984	115	280	8-off M42 or 1 3/4"	1448	382	90	1270	1000	580mm	23"	02 2300
P50	673	984	1036	114	280	8-off M42 or 1 3/4"	1524	382	92	1345	1050	600mm	24"	02 2400



Group Ref.	Shaft Diameter d
03 400	100mm 3 15/16" 4"
03 408	110mm 4 7/16" 120mm 4 1/2"
03 500	130mm 4 15/16" 5"
03 508	140mm 5 7/16" 5 1/2"
03 600	150mm 5 15/16" 6"
03 608	160mm 6 7/16" 170mm 6 1/2"
03 700	180mm 6 15/16" 7"
03 800	190mm 7 15/16" 200mm 8"
03 900	220mm 9"
03 1000	240mm 250mm 260mm 10"

BEARING DATA

Reference (1)		D (mm)	C (mm)	B/BI (mm)	Axial Float (2) (mm)	Mass (kg)
03 B 100M	03 B 315 03 B 400	254.00	136.0	84.2 84.2	11	30
03 B 110M 03 B 120M	03 B 407 03 B 408	266.70	147.0	87.3 87.3	11	36.0
03 B 130M	03 B 415 03 B 500	279.40	140.0	73.1 84.2	11	36.0
03 B 140M	03 B 507 03 B 508	304.80	147.0	79.4 90.5	12	44.0
03 B 150M	03 B 515 03 B 600	330.20	160.0	81.0 96.9	13	57.0
03 B 160M 03 B 170M	03 B 607 03 B 608	355.60	171.0	103.2 103.2	14	72.0
03 B 180M	03 B 615 03 B 700	374.65	178.0	92.1 108.8	15	79.0
03 B 190M 03 B 200M	03 B 715 03 B 800	419.10	191.0	97.7 118.3	16	105
03 B 220M	03 B 900	469.90	212.0	109.6 131.8	18	145
03 B 240M 03 B 250M 03 B 260M	03 B 1000	482.60	211.0	105.6 124.6	18	150

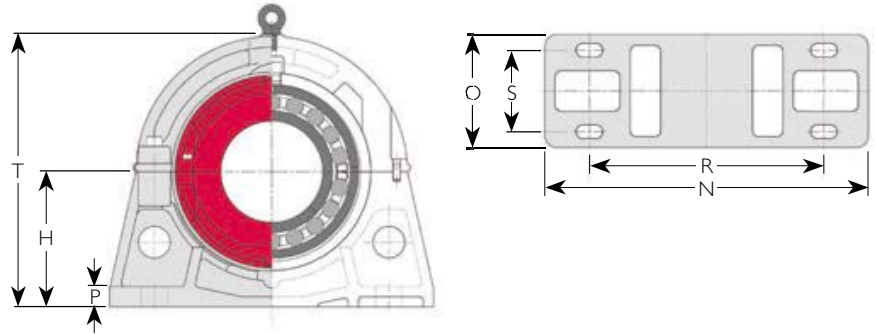
CARTRIDGE DATA

Cartridge References (1) for felt seals		Principal Dimensions for ATL seals		G (mm)	J (mm)	L/LI (mm)	Mass (kg)
03 C 100M	03 C 315 03 C 400	03 C 54		308.00	95	200 206	41
03 C 110M 03 C 120M	03 C 407 03 C 408	03 C 55		323.85	102	210 222	46
03 C 130M	03 C 415 03 C 500	03 C 56		323.85	102	214 222	48
03 C 140M	03 C 507 03 C 508	03 C 57		355.60	108	216 230	52
03 C 150M	03 C 515 03 C 600	03 C 58		393.70	114	232 254	70
03 C 160M 03 C 170M	03 C 607 03 C 608	03 C 59		422.30	120	244 268	81
03 C 180M	03 C 615 03 C 700	03 C 60		431.80	132	254 284	87
03 C 190M 03 C 200M	03 C 715 03 C 800	03 C 61		489.00	146	270 300	109
03 C 220M	03 C 900	03 C 62		546.10	165	298 334	155
03 C 240M 03 C 250M 03 C 260M*	03 C 1000	03 C 63*		558.80	165	298 334	161

1) Add 'EX' or 'GR' to reference for expansion or fixed type respectively, e.g. **Bearing:** 03 B 100M EX or 03 B 315 EX
Cartridge: 03 C 100M EX or 03 C 54 EX

* Add 'OTL' to reference for cartridge for ATL seals if the cartridge for felt seals with the same bore size is also marked*, eg 03 C 63 OTL

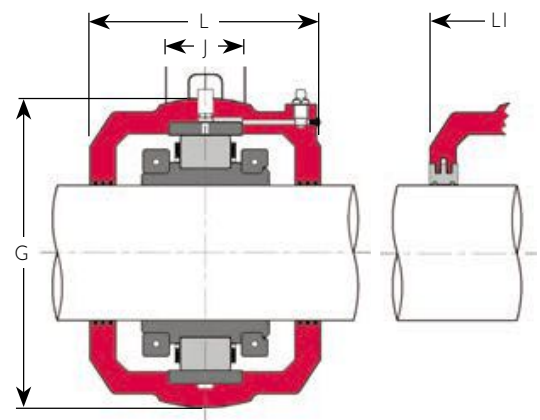
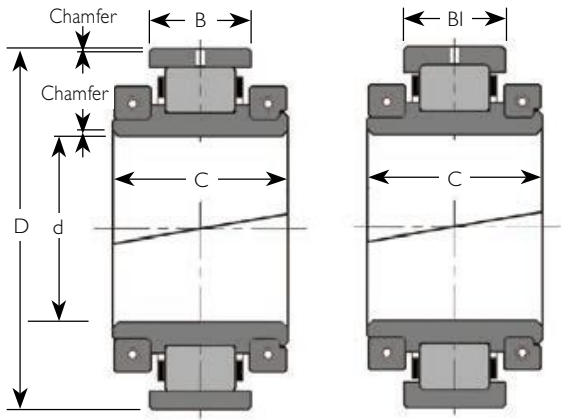
2) Total movement tabulated. Maximum offset from centreline half this amount.



PEDESTAL DATA

Reference	H (mm)	R		Ro (mm)	S (mm)	Bolts	N (mm)	O (mm)	P (mm)	T (mm)	Mass (Kg)	Shaft Diameter d	Group Reference	
		Min. (mm)	Max. (mm)											
P54	191	426	450	-	82	4-off M24 or 7/8"	514	152	38	405	61	100mm	3 15/16" 4"	03 400
P55	197	446	470	-	88	4-off M24 or 1"	534	166	38	425	69	110mm 120mm	4 7/16" 4 1/2"	03 408
P56	203	458	482	-	96	4-off M24 or 1"	546	166	48	435	74	130mm	4 15/16" 5"	03 500
P57	229	494	534	-	102	4-off M30 or 1 1/4"	622	178	54	485	97	140mm	5 7/16" 5 1/2"	03 508
P58	254	538	578	-	120	4-off M30 or 1 1/4"	666	204	57	535	142	150mm	5 15/16" 6"	03 600
P59	267	608	648	-	140	4-off M30 or 1 1/4"	736	228	60	570	162	160mm 170mm	6 7/16" 6 1/2"	03 608
P60	279	616	656	-	152	4-off M30 or 1 1/4"	762	254	64	580	172	180mm	6 15/16" 7"	03 700
P61	311	616	656	-	172	4-off M36 or 1 1/2"	838	266	67	655	223	190mm 200mm	7 15/16" 8"	03 800
P62	349	716	756	-	178	4-off M42 or 1 3/4"	952	280	76	730	309	220mm	9"	03 900
P63	394	650	690	-	304	4-off M42 or 1 3/4"	914	406	76	790	392	240mm 250mm 260mm	10"	03 1000

Pedestal Units 03 Series



BEARING DATA

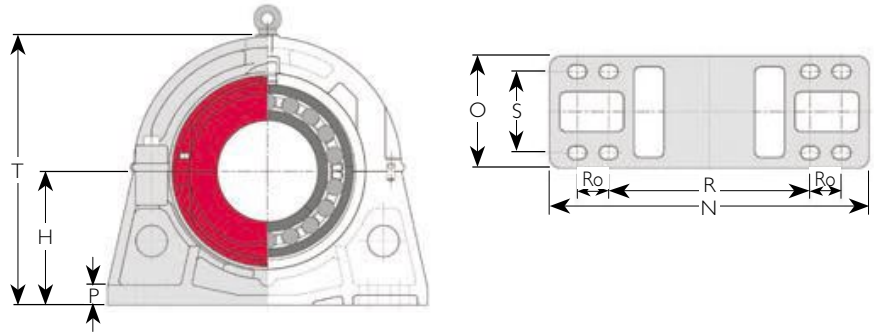
Group Reference	Shaft Diameter d	Reference (1)		D (mm)	C (mm)	B/BI (mm)	Axial Float (2) (mm)	Mass (kg)
03E 1100	280mm 11"	03E B 280M	03E B 1100	495.30	244.0	139.7 139.7	20	182
03 1200	290mm 300mm 12"	03 B 290M 03 B 300M	03 B 1200	558.80	244.0	139.7 139.7	19	238
03 1300	320mm 13"	03 B 320M	03 B 1300	622.30	272.0	160.4 160.4	22	327
03E 1400	340mm 360mm 14"	03E B 340M 03E B 360M	03E B 1400	615.95	279.0	158.0 158.0	22	318
03 1500	380mm 400mm 15"	03 B 380M 03 B 400M	03 B 1500	685.80	292.0	166.7 166.7	23	431
03E 1700	420mm 440mm 17"	03E B 420M 03E B 440M	03E B 1700	700.00	284.0	160.0 160.0	23	395
03E 1800	460mm 18"	03E B 460M	03E B 1800	740.00	294.0	170.0 170.0	24	431
03 2000	500mm 530mm 20"	03 B 500M 03 B 530M	03 B 2000	850.90	300.0	187.4 187.4	26	730
03E 2200	560mm 22"	03E B 560M	03E B 2200	863.60	310.0	196.9 196.9	28	635
03E 2300	600mm 23"	03E B 600M	03E B 2300	890.00	310.0	184.0 184.0	27	680

CARTRIDGE DATA

Cartridge References (1)			G (mm)	J (mm)	L/LI (mm)	Mass (kg)
for feltseals	for ATLseals					
03E C 280M	03E C 1100	03E C 83	571.50	165	356 356	204
03 C 290M 03 C 300M	03 C 1200	03 C 65	641.40	165	346 370	239
03 C 320M	03 C 1300	03 C 66	717.60	170	368 418	273
03E C 340M 03E C 360M	03E C 1400	03E C 86	704.90	196	432 432	385
03 C 380M 03 C 400M	03 C 1500	03 C 68	774.70	202	400 438	399
03E C 420M 03E C 440M	03E C 1700	03E C 89	788.00	200	440 442	408
03E C 460M	03E C 1800	03E C 90	840.00	200	450 450	454
03 C 500M 03 C 530M	03 C 2000	03 C 94	958.90	204	495 508	770
03E C 560M	03E C 2200	03E C 94	958.90	204	490 490	671
03E C 600M	03E C 2300	03E C 95	990.00	204	490 490	720

1) Add 'EX' or 'GR' to reference for expansion or fixed type respectively, e.g. Bearing: 03 B 280M EX or 03 B 1100 EX
Cartridge: 03 C 280M EX or 03 C 83 EX

2) Total movement tabulated. Maximum offset from centreline half this amount.



PEDESTAL DATA

Reference	H (mm)	R		Ro (mm)	S (mm)	Bolts	N (mm)	O (mm)	P (mm)	T (mm)	Mass (Kg)	Shaft Diameter d	Group Reference	
		Min. (mm)	Max. (mm)											
P83	368	482	522	120	178	8-off M36 or 1 1/2"	940	280	70	785	205	280mm	11"	03E 1100
P65	457	654	694	101	330	8-off M36 or 1 1/2"	1092	420	76	915	586	290mm 300mm	12"	03 1200
P66	518	742	782	108	266	8-off M36 or 1 1/2"	1194	356	80	1035	655	320mm	13"	03 1300
P86	470	634	686	134	190	8-off M42 or 1 3/4"	1220	318	82	1000	464	340mm 360mm	14"	03E 1400
P68	559	780	832	115	292	8-off M42 or 1 3/4"	1270	394	92	1120	859	380mm 400mm	15"	03 1500
P89	508	664	716	150	210	8-off M48 or 2"	1270	360	90	1075	482	420mm 440mm	17"	03E 1700
P90	550	754	806	150	220	8-off M48 or 2"	1370	380	95	1165	705	460mm	18"	03E 1800
P94	622	914	966	165	242	8-off M56 or 2 1/4"	1600	406	102	1340	1000	500mm 530mm	20"	03 2000
P94	622	914	966	165	242	8-off M56 or 2 1/4"	1600	406	102	1340	1000	560mm	22"	03E 2200
P95	622	914	966	165	242	8-off M56 or 2 1/4"	1600 184.0	406	102	1340	930	600mm	23"	03E 2300