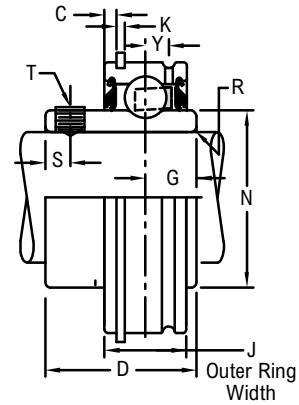
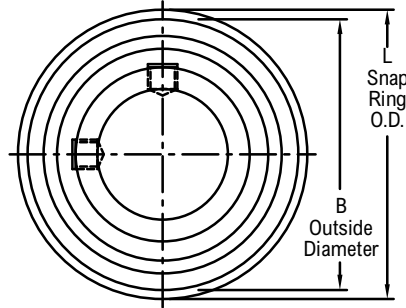




Photo Shows an ER Adapter Series Ball Bearing Unit

Product Features

- Broad range of sealing options
- Spring locking setscrew mount
- Sealed & relubricatable
- Cylindrical O.D.
- O.D. mounted snap ring
- See Features & Benefits for additional info.



Bearing Dimensions

Size Code	Shaft Diameter	Part Number	B O.D.	J Outer Ring Width	L Snap Ring O.D.	C	D	G	K	N	R	S	T Tap Size	Y	Approx. Weight
204	1/2	ER8♦♦ □Δ	1.8504	0.6240	2 1/16	3/32	1 7/32	0.4050	3/64	1.154	0.04	15/64	#10-32	0.142	0.62
	5/8	ER10♦♦ □Δ													0.55
	3/4	ER12♦♦ □Δ													0.54
205	7/8	ER14♦♦ □Δ	2.0472	0.7490	2 17/64	3/32	1 3/8	0.5080	3/64	1.313	0.04	15/64	1/4-28	0.185	0.65
	15/16	ER15♦♦ □Δ													0.63
	1	ER16♦♦ □Δ													0.61
	25.00	ER205♦♦ □Δ	52.0000	19.0250	57.60	2.40	34.92	12.9000	1.20	33.350	1.00	2.00	M6X1	4.700	0.30
206	1 1/8	ER18♦♦ □Δ	2.4409	0.8740	2 21/32	3/32	1 1/2	0.6250	3/64	1.587	0.04	1/4	1/4-28	0.224	0.96
	1 3/16	ER19♦♦ □Δ													0.94
	1 1/4	ER20S♦♦ □Δ													0.90
	30.00	ER206♦♦ □Δ	62.0000	22.2000	67.50	2.40	38.10	15.8800	1.20	40.310	1.00	6.40	M6X1	5.690	0.40
207	1 1/4	ER20♦♦ □Δ	2.8346	0.9365	3 5/64	1/8	1 11/16	0.6880	1/16	1.847	0.04	21/64	5/16-24	0.256	1.75
	1 3/8	ER22♦♦ □Δ													1.70
	1 7/16	ER23♦♦ □Δ													1.62
208	1 1/2	ER24♦♦ □Δ	3.1496	1.0927	3 25/64	1/8	1 15/16	0.7500	1/16	2.083	0.06	3/8	5/16-24	0.297	2.18
	40.00	ER208♦♦ □Δ	80.0000	27.7550	86.10	3.20	49.22	19.0500	1.60	52.910	1.60	9.50	M8X1.25	7.540	1.00
209	1 5/8	ER26♦♦ □Δ	3.3465	1.0927	3 19/32	1/8	1 15/16	0.7500	1/16	2.281	0.06	3/8	5/16-24	0.297	2.28
	1 11/16	ER27♦♦ □Δ													2.22
	1 3/4	ER28♦♦ □Δ													2.15
210	1 7/8	ER30♦♦ □Δ	3.5433	1.1240	3 25/32	1/8	2 1/32	0.7500	3/32	2.475	0.06	3/8	3/8-24	0.265	2.75
	1 15/16	ER31♦♦ □Δ													2.61
	2	ER32♦♦ □Δ													3.38
211	2	ER35♦♦ □Δ	3.9370	1.1860	4 11/64	1/8	2 3/16	0.8750	3/32	2.749	0.08	3/8	3/8-24	0.298	3.07
	2 3/16	ER36♦♦ □Δ													4.48
	2 1/4	ER37♦♦ □Δ													4.38
212	2 3/8	ER38♦♦ □Δ	4.3307	1.2490	4 9/16	1/8	2 9/16	1.0000	3/32	3.012	0.08	3/8	3/8-24	0.330	4.19
	2 7/16	ER39♦♦ □Δ													5.92
	2 1/2	ER40♦♦ □Δ													5.49
214	2 11/16	ER43♦♦ □Δ	4.9213	1.3740	5 9/32	5/32	2 3/4	1.0620	7/64	3.433	0.08	3/8	3/8-24	0.374	6.60
	2 7/8	ER46♦♦ □Δ													6.37
215	2 15/16	ER47♦♦ □Δ	5.1181	1.4990	5 1/2	5/32	3 1/16	1.3130	7/64	3.632	0.08	3/8	3/8-24	0.374	8.05
	3	ER48♦♦ □Δ													7.56
216	3 3/16	ER51♦♦ □Δ	5.5118	1.6865	5 7/8	5/32	3 1/4	1.3130	7/64	3.920	0.12	3/8	3/8-24	0.406	

Additional Notes

- Please call 1-866-REXNORD for availability
- Bearing O.D. tolerance for size code 204, +.0000 in/-.0005 in
- (+0.000 mm/-0.013 mm): for size code 205 thru 208, +.0000 in/-.0006 in (+0.000 mm/-0.015 mm): for size code 209 thru 212, +.0000 in/-.0008 in (+0.000 mm/-0.020 mm): for all other size codes, +.0000 in/-.0010 in (+0.000 mm/-0.025 mm)
- Lip seals standard
- ♦ Available with E1 viton seals for size codes 212 and smaller
- ♦ Available with TFF viton seals for size codes above 212

- Available with free running style seals, add suffix ♦ FF, □ HFF or Δ MHFF for size codes 212 and smaller
- Add suffix ♦ FF, □ SFF or Δ MKFF for size codes above 212
- For the Selection Guide, Load Ratings and Speed Limits, see the MB Ball Bearing Engineering section
- Note: Dimensions subject to change. Certified dimensions of ordered material furnished on request.