

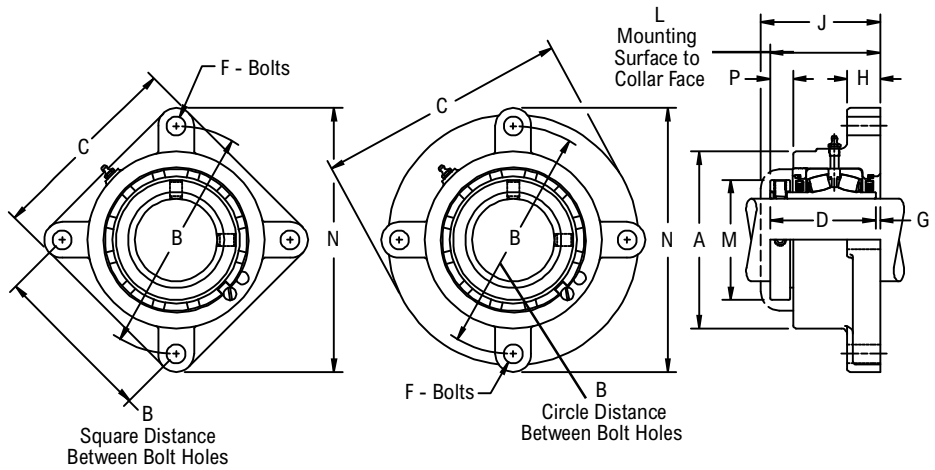
FB22400, FEB22400



Photo Shows a 4-Bolt Spherical Roller Bearing Flanged Unit

Product Features

- Corrosion-resistant powder coating
- Cast iron housing
- Misalignment capabilities - total of 4°
- Broad range of sealing options
- Factory set clearance & lubrication
- Hardened spring locking collar
- Field interchangeable seals
- Fixed or Expansion - total of 3/8 in expansion
- See Features & Benefits for additional info.



Bearing Dimensions

Size Code	Shaft Diameter	Expansion		Fixed		B Distance Between Bolt Holes		L Mounting Surface to Collar Face	C	D	F Bolts	G	H	J	M	N	P	Approx. Weight
		Part Number	A	Part Number	A	Square	Circle											
3-Bolt Round																		
B416	1	FEB22416H	3 1/4	FB22416H	2 7/8	-	4 1/8	2 19/32	4 3/4	2 9/16	3/8	1/32	9/16	2 15/16	1 3/4	5 1/8	17/32	3.00
	25.00	FEB224M25H	82.60	FB224M25H	73.00	-	104.78	65.90	120.60	65.09	10.00	0.80	14.30	74.60	44.40	130.20	13.50	1.30
B420	1 3/16	FEB22419H	3 1/2	FB22419H	3 1/8	-	4 1/2	2 23/32	5 1/8	2 11/16	3/8	1/32	19/32	3 1/16	1 31/32	5 1/2	17/32	6.00
	1 1/4	FEB22420H		FB22420H														
	30.00	FEB224M30H	88.90	FB224M30H	79.40	-	114.30	69.00	130.20	68.26	10.00	0.80	15.10	77.80	50.00	139.70	13.50	2.40
B424	1 7/16	FEB22423H	3 3/4	FB22423H	3 7/16	-	5	2 29/32	5 7/8	2 7/8	1/2	1/32	5/8	3 9/16	2 5/16	6 1/4	21/32	7.00
	1 1/2	FEB22424H		FB22424H														
	35.00	FEB224M35H	95.20	FB224M35H	87.30	-	127.00	73.80	149.20	73.02	12.00	0.80	15.90	84.10	58.70	158.80	16.70	3.20
4-Bolt Round																		
B428	1 5/8	FEB22426H	4 1/4	FB22426H	3 15/16	3 57/64	5 1/2	3 5/32	6 3/8	3 1/8	1/2	1/32	5/8	3 1/2	2 19/32	6 3/4	21/32	9.00
	1 11/16	FEB22427H		FB22427H														
	1 3/4	FEB22428H		FB22428H														
	40.00	FEB224M40H	108.00	FB224M40H	100.00	98.83	139.70	80.20	161.90	79.38	12.00	0.80	15.90	88.90	65.90	171.40	16.70	4.30
B432	1 15/16	FEB22431H	4 1/2	FB22431H	4 1/4	4 1/16	5 3/4	3 3/16	6 11/16	3 1/8	1/2	1/16	11/16	3 9/16	2 7/8	7	21/32	10.00
	2	FEB22432H		FB22432H														
	45.00	FEB224M45H		114.30														
	50.00	FEB224M50H		FB224M50H														4.70
B436	2 3/16	FEB22435H	4 7/8	FB22435H	4 7/8	4 1/2	6 3/8	3 13/32	7 3/8	3 5/16	5/8	3/32	11/16	3 25/32	3 1/4	7 3/4	25/32	14.00
	2 1/4	FEB22436H		FB22436H														
	55.00	FEB224M55H	123.80	FB224M55H	123.80	114.30	161.92	86.50	187.30	84.14	16.00	2.40	17.50	96.00	82.60	196.80	19.80	6.50
B440	2 7/16	FEB22439H	5 3/8	FB22439H	5 3/8	4 49/64	6 3/4	3 19/32	7 3/4	3 1/2	5/8	3/32	3/4	3 31/32	3 9/16	8 1/8	27/32	17.00
	2 1/2	FEB22440H		FB22440H														
	60.00	FEB224M60H	136.50	FB224M60H	136.50	121.06	171.45	91.30	196.80	88.90	16.00	2.40	19.00	100.80	90.50	206.40	21.40	7.90
B448	2 11/16	FEB22443H	6 1/4	FB22443H	6 1/4	5 9/16	7 7/8	4 3/32	9 1/8	4	3/4	3/32	7/8	4 7/16	4 1/16	9 1/2	27/32	28.00
	2 3/4	FEB22444H		FB22444H														
	2 15/16	FEB22447H		FB22447H														
	3	FEB22448H		FB22448H														
	65.00	FEB224M65H																
70.00	FEB224M70H	158.80	FB224M70H	158.80	141.27	200.02	104.00	231.80	101.60	20.00	2.40	22.20	112.70	103.20	241.30	21.40	12.50	
	75.00	FEB224M75H		FB224M75H														12.00
4-Bolt Square																		
B456	3 3/16	FEB22451H	7 3/8	FB22451H	7 3/8	6 23/32	9 1/2	4 9/16	8 7/16	4 3/8	3/4	1/4	1	4 29/32	4 29/32	11 7/16	15/16	41.00
	3 7/16	FEB22455H		FB22455H														
	3 1/2	FEB22456H		FB22456H														
	80.00	FEB224M80H		187.30														
	85.00	FEB224M85H		FB224M85H														18.10

Continued...