

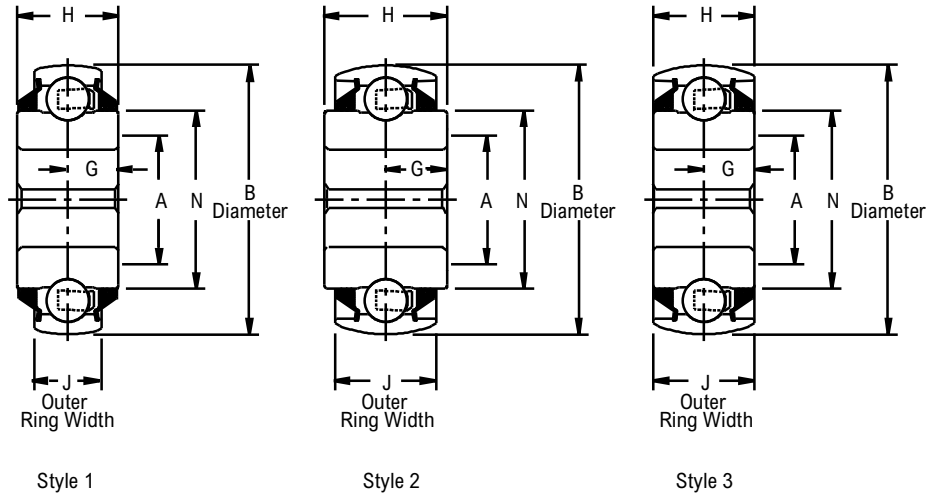
Square



Photo Shows an Unmounted Square Bore Ball Bearing Unit

Product Features

- Spherical or Cylindrical O.D.
- Triple lip seals
- Optional relubrication feature
- See Features & Benefits for additional info.

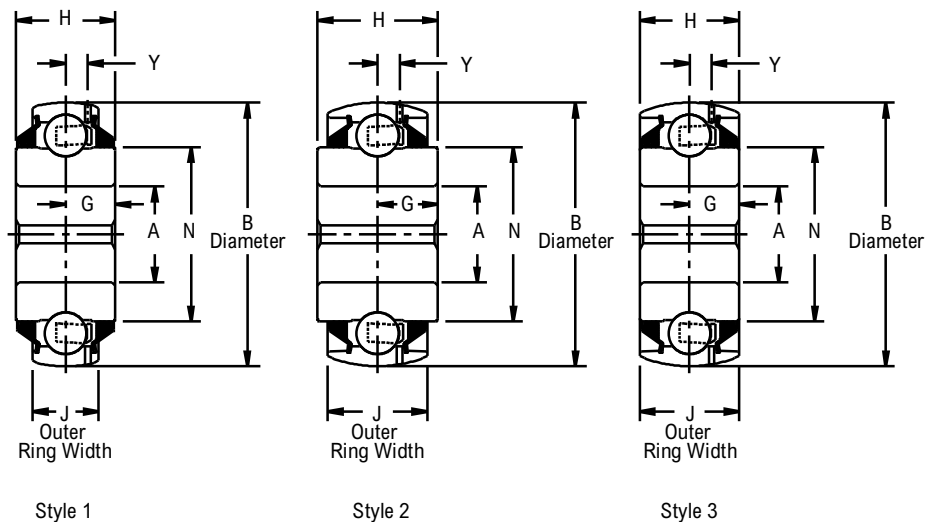


*Note: Drawing represents spherical O.D. bearing

Bearing Dimensions

| Size Code | Shaft Diameter | Part Number | Industry Number | Style | B O.D. | J Outer Ring Width | A | G | H | N | Y | Approx. Weight | |
|---------------------------|----------------|--------------|-----------------|--------|--------|--------------------|--------|--------|--------|--------|-------|----------------|------|
| Non-relubricatable | | | | | | | | | | | | | |
| Cylindrical | | | | | | | | | | | | | |
| 208 | 7/8 | 14SB5208E3 Δ | W208PP13 | 1 | 3.1496 | | 0.7087 | 0.9050 | 0.719 | 1.4375 | 2.083 | - | 1.50 |
| | | 16SB2208E3 Δ | W208PP9 | 2 | | | 1.1875 | | | | | | |
| | 16SB5208E3 Δ | W208PP6 | 1 | 0.7087 | | | 1.0300 | | | | | | 1.50 |
| | 18SB22E08E3 Δ | W208PP8 | 2 | 1.1875 | | | | | | | | | |
| | 18SB52E08E3 Δ | W208PP5 | 1 | 0.7087 | | | 1.1850 | | | | | | |
| 211 | 1 1/2 | 24SB3211E3 Δ | W211PP3 | 3 | 3.9370 | | 1.3125 | 1.5300 | 0.656 | 1.3125 | 2.749 | - | 2.40 |
| Spherical | | | | | | | | | | | | | |
| 208 | 7/8 | 14S4208E3 Δ | W208PPB11 | 2 | 3.4380 | | 0.9050 | 0.719 | 1.4375 | 2.083 | - | | 1.50 |
| | | 16S2208E3 Δ | W208PPB9 | | | | 1 | | | | | | |
| | 16S5208E3 Δ | W208PPB6 | 1 | 3.1496 | 0.7087 | 1.0300 | 1.50 | | | | | | |
| | 18S22E08E3 Δ | W208PPB8 | 2 | 3.4380 | 1.1875 | | | | | | | | |
| | 18S42E08E3 Δ | W208PPB12 | | 3.4380 | 0.7087 | | | | | | | | |
| 18S52E08E3 Δ | W208PPB5 | 1 | 3.1496 | 0.7087 | | | | | | | | | |
| 209 | 1 1/4 | 20S2209E3 Δ | W209PPB5 | 2 | 3.3465 | | 1.1875 | 1.2800 | 0.719 | 1.4375 | 2.281 | - | 1.85 |
| | | 20S4209E3 Δ | W209PPB7 | | 3.4380 | | | | | | | | |
| 211 | 1 1/2 | 24S3211E3 Δ | W211PPB3 | 3 | 3.9370 | | 1.3125 | 1.5300 | 0.656 | 1.3125 | 2.749 | - | 2.40 |

Continued...



Continued...

*Note: Drawing represents spherical O.D. bearing

Bearing Dimensions

| Size Code | Shaft Diameter | Part Number | Industry Number | Style | B O.D. | J Outer Ring Width | A | G | H | N | Y | Approx. Weight |
|-----------------------|----------------|---------------|-----------------|-------|--------|--------------------|--------|-------|--------|-------|-------|----------------|
| Relubricatable | | | | | | | | | | | | |
| Cylindrical | | | | | | | | | | | | |
| 209 | 1 1/4 | 20SBG5209E3 Δ | GW209PP8 | 1 | 3.3465 | 0.8661 | 1.2800 | 0.719 | 1.4375 | 2.281 | 0.254 | 1.85 |
| 211 | 1 1/2 | 24SBG3211E3 Δ | GW211PP3 | 3 | 3.9370 | 1.3125 | 1.5300 | 0.656 | 1.3125 | 2.749 | 0.267 | 2.40 |
| Spherical | | | | | | | | | | | | |
| 208 | 1 | 16SG5208E3 Δ | GW208PPB6 | 1 | 3.1496 | 0.8661 | 1.0300 | 0.719 | 1.4375 | 2.083 | 0.253 | 1.70 |
| | 1 1/8 | 18SG22E08E3 Δ | GW208PPB8 | 2 | | 1.1875 | 1.50 | | | | | |
| | | 18SG52E08E3 Δ | GW208PPB5 | 1 | | 0.8661 | 1.1850 | | | | | |
| 209 | 1 1/4 | 20SG5209E3 Δ | GW209PPB8 | 1 | 3.3465 | 0.8661 | 1.2800 | 0.719 | 1.4375 | 2.281 | 0.254 | 1.85 |
| 211 | 1 1/2 | 24SG3211E3 Δ | GW211PPB3 | 3 | 3.9370 | 1.3125 | 1.5300 | 0.656 | 1.3125 | 2.749 | 0.267 | 2.40 |

Additional Notes

Please call 1-866-REXNORD for availability
 Unground spherical O.D. tolerance, +/- .005 in (+/- 0.13 mm).
 Center portion of O.D. is cylindrical
 Δ E3 triple lip seals standard
 Selection Guide, see Link-Belt Ball Bearing Selection Guide section
 Load Ratings & Speed Limits, see Link-Belt Ball Bearing Load Ratings & Speed Limits section

Note: Dimensions subject to change. Certified dimensions of ordered material furnished on request.